

# Distribution Generation System based on Voltage Controlled Islanding Detection

Srinivas.CH<sup>1</sup>, Dr.P.Santosh Kumar Patra<sup>2</sup>, Vishnuvardhan Vadla<sup>3</sup>

<sup>1</sup>Associate Professor in EEE, <sup>2</sup>Principal & Professor in CSE, <sup>3</sup>Assistant Professor in EEE  
St.Martin's Engineering College, Secunderabad, Telangana, India.

**Abstract**— Islanding is a condition in which the micro grid is disconnected from the main grid which consists of loads and distribution generation. Islanding is required whenever there is a fault and whenever the maintenance is required. Under normal condition or stable condition, the system works under constant current control mode. After islanding the system switched to voltage controlled mode. There are different methods that can be used to detect islanding situation such as active and passive methods. In this paper DQ-PLL detection technique used for detecting islanding condition is carried out. This paper also explains in detail the advantages of DQ-PLL method for islanding detection. The implementation is validated by using MATLAB/SIMULINK software.

**Keyword:** Micro grid, Distribution generation, Islanding Technique, Constant current control mode.

## I.INTRODUCTION

Islanding is the process of creating power island like a section of utility system in case of a wide spread disturbance in the main power grid. During islanding conditions uninterrupted power supply to critical load is maintained even in case of main grid failure. In case of disruption in main grid, sectionalization of grid happens automatically and the DG source energizes the critical load until the main grid is resynchronized with DG. Islanding can be two types, intentional islanding and unintentional islanding [1]. This paper mainly focusing on the working of islanding detection technique. The study of Islanding can be sub-divided into three sections:

I.Formation of Islanding.

II.Operations during Islanding.

III.Resynchronization.

*I.Formation of Islanding*

Figure 1 shows the schematic diagram for formation of islanding condition. Based on the cause, formation of islanding can be classified into two:

i)Islanding due to fault

ii) Islanding due to maintenance

In the case of fault, Islanding happens due to the fault in main distribution system. Here in this scenario, there will be a disruption of power for a small interval of time and the DG disconnects itself from the main grid and gradually reconnects to the critical load to form the island. Here the main difficulty in the island formation is difference in capacity of DG source and load requirement. In case, if the

capacity of DG is nearly equal to total load, island can be formed. Usually this is a very rare scenario. Suppose if the islanding is not formed during the faulted condition faulted part is disconnected from the main grid without any power supply. This reduces the reliability of power supply. To enhance the reliability islanding is initially formed by disconnecting the DG from the main grid and then gradually reconnecting loads to DG.

In the case of islanding by maintenance, the disconnection of parts from main grid is for the maintenance purpose. In this case also, the total remaining load should be nearly equal to the capacity of DG source, else, frequency difference will be high and generator's protective device operates. [2]

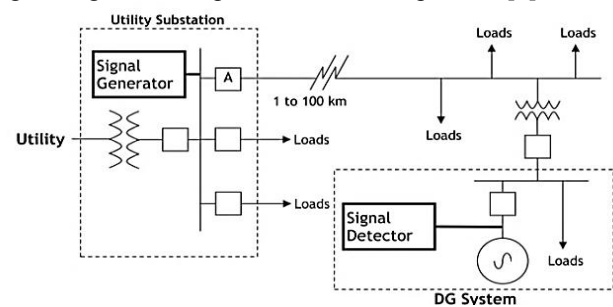


Fig. 1. Islanding Condition

## II.Operation during Islanding

It is the study on the performance of DG when Islanding occurs. The performance of DG is tested in the following aspects. [3]

a)*Load Following* –whenever a change in load occurs the generator should adjust the frequency and voltage to an appropriate level, so that the total load demand is met

b)*Large Load Rejection*- When a sudden switching ON of a motor or the disconnection of a large load occurs from the main grid, the DG should be able to adjust system frequency and voltage to the desired level quickly.

c)*Fault*- In case of a fault in the power system during an islanding condition, the fault should be isolated before the power system goes into an unstable state. That is, the DG must adjust system frequency and voltage to appropriate level after the fault gets cleared.

## III.Resynchronization

It refers to transfer of load back to main grid from faulted parts. Before resynchronization of islanding part to the main grid, normally DG has to disconnect. At this time there will be de-energizing of islanded area for a while. If the loads are of critical nature where number of disruption affects the customer, Islanding cannot improve reliability of these customers. To mitigate this issue, we can use remote resynchronization of DG at the substation. [4]

*Manuscript received April, 2020.*

*CH.Srinivas, Department of EEE, St.Martin's Engineering College, Secunderabad, Telangana, India.*

*Dr.P.Santosh Kumar Patra, Principal & Professor in CSE, St.Martin's Engineering College, Secunderabad, Telangana, India.*

*Vishnuvardhan Vadla, Department of EEE, St.Martin's Engineering College, Secunderabad, Telangana, India.*

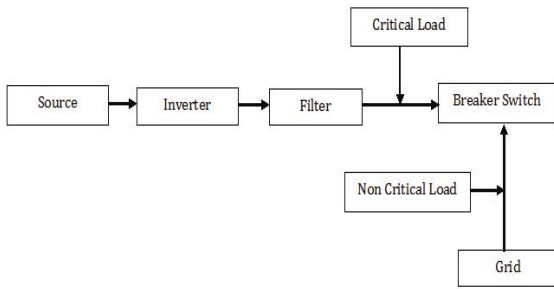


Fig. 2. Block Diagram of the Proposed System

Figure 2 represents the block diagram of the proposed system. The block diagram has a dc micro voltage source, non-critical loads, inverter, filter, critical loads and breaker switch. Here the dc source which can be provided by solar PV panels, wind energy source etc. inverter is used for the conversion of dc to ac.

The filter used as LCL filter in order to eliminate the harmonics from the system. One of the main advantage of the LCL filter is it is having high attenuation and it reduces the size of the components and costs. Other function of LCL filter is it reduces the current injection to the utility grid. [5, 6] Loads are classified into two types. Critical load and Non critical load. Normally the non-critical loads can be turned off when the emergency power is needed for the critical loads. Critical electrical loads include the hospital loads, radar loads, Factories, digital communication systems, internet servers etc. When this equipment fails, the losses will be very high in case of financial and may be this interruption leads to some hidden losses like man power, production losses, damaging of equipment. So these systems require great demand of uninterruptable electrical power supply. Noncritical loads is includes mainly domestic loads.[7]

There are two types of mode of operations: one is in grid connected mode and other one is in islanding mode. Based on these modes again there is two types of control modes. During the normal operation or in the grid connected mode, the DG in the microgrid will be working in constant current control mode. When the microgrid is detaching from the main grid, i.e. when the islanding occurs, the current control mode switched to voltage control mode.

## II. ISLANDING DETECTION TECHNIQUES

Islanding detection techniques are mainly classified into two types as passive methods and active method. Under passive methods the islanding detection is carried out for Under/Over voltage, Under/ Over Frequency, Voltage phase jump detection and Harmonic detection. Under active methods the islanding detection is carried out for Negative sequence current injection, Impedance measurement, Impedance measurement at specified frequency, Slip mode frequency shift. Passive method includes mainly the transient changes on the grid, based on the detailed probabilistic determination of whether grid has failed or not, or if there is any problem. Active methods are the detection of grid failure by active method is done by applying an external signal to the system and check whether the external signal has changed or not. Compared with passive method, active method is difficult. [8]

Compared with other detection methods, Under/Over voltage detection and Under/Over frequency detection are easy to implement. Because of this reason, majority of the inverters

identify fault conditions using this method. The DQ-PLL is mainly designed for the detection of islanding situation. DQ-PLL used the concept of under voltage/Over voltage and under frequency/Over frequency for the detection purpose. [9]

### Under/Over voltage

In grid interactive inverters, one of the best islanding detection technique is Under/Over voltage detection, because voltage is one of the main basic function of the inverter. If there is a change in load or a fault occurs, there will be a sudden change in voltage magnitude. So this voltage magnitude can be chosen as the input of the islanding detection.

### Under/over frequency

Under or over frequency is another scenario for the grid disconnection. Here the detection is done by checking the grid frequency, i.e. the grid frequency is within the limit or not. When there is fault happened or maintenance is required the grid get detached and the power frequency would fall to the natural resonant frequency in the island. [10]

One advantage of this method is that it considers, both voltage and frequency components. It takes the upper limit & lower limit of voltage as 1.1pu and 0.88pu, and that of frequency as 49.30Hz and 51.50Hz respectively. If the grid frequency & voltage is below or above this limit, then the system goes to islanding condition. Figure 3 shows the flow chart for the proposed method.

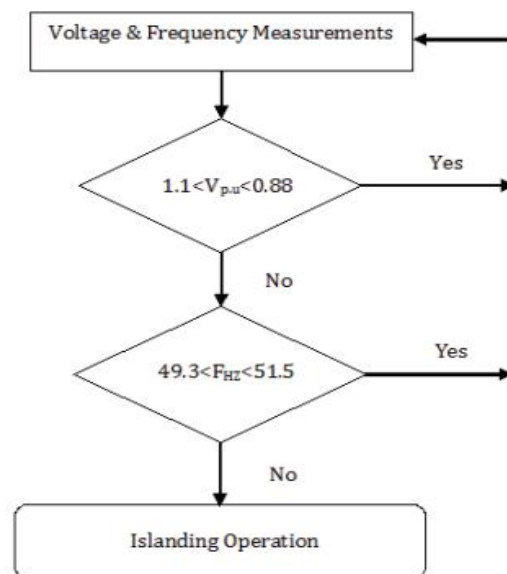


Fig. 3 Flow chart of the Islanding Detection

DQ-PLL consists of mainly four components, Clark's transformation, Parks transformation, PI regulator and an integrator. A phase locked loop (PLL) is mainly used for the determination of the frequency and angle reference at the point of common coupling. There are two types of transformations. One is dq0 to abc transformation which is also called as Clark's transformation and the other one is called as abc to dq0 transformation which is also called as parks transformation. [11]. These two transformations are helps in two phase to three phase transformation and vice versa. These transformations in the DQ-PLL method will produce a three phase balanced waveform with 120 degree phase shift which can be given as input to the inverter.

Clarks & Parks transformation equation are below: Parks transformation

$$V_a = V_d \sin(\omega t) + V_q \cos(\omega t) + V_0 \quad (1)$$

$$V_b = V_d \sin(\omega t - 2\pi/3) + V_q \cos(\omega t - 2\pi/3) + V_0 \quad (2)$$

$$V_c = V_d \sin(\omega t + 2\pi/3) + V_q \cos(\omega t + 2\pi/3) + V_0 \quad (3)$$

Clark's transformation

$$V_d = \frac{2}{3} V_a \sin(\omega t) + V_b \sin(\omega t - 2\pi/3) + V_c \sin(\omega t + 2\pi/3) \quad (4)$$

$$V_q = \frac{2}{3} V_a \cos(\omega t) + V_b \cos(\omega t - 2\pi/3) + V_c \cos(\omega t + 2\pi/3) \quad (5)$$

$$V_0 = \frac{1}{3} (V_a + V_b + V_c) \quad (6)$$

In this technique,  $V_q$  is set to zero at first. PI regulators are used for controlling the errors in the output of the grid frequency and grid voltage magnitude. [12]

### III. OUTPUT RESULTS AND DISCUSSIONS

The performance of the proposed system for the islanding detection technique is validated by MATLAB Simulink software. Figure 4 shows the simulated diagram of the system.

This system was tested under the following conditions:

Switching frequency of the inverter: 10 kHz;

Output frequency of the inverter: 50 Hz;

filter inductor  $L_i$ : 1 mH;

filter inductor  $L_L$ : 1 mH;

filter capacitor  $C_f$ : 1  $\mu$ F;

dc-link voltage  $V_{dc}$ : 400 V;

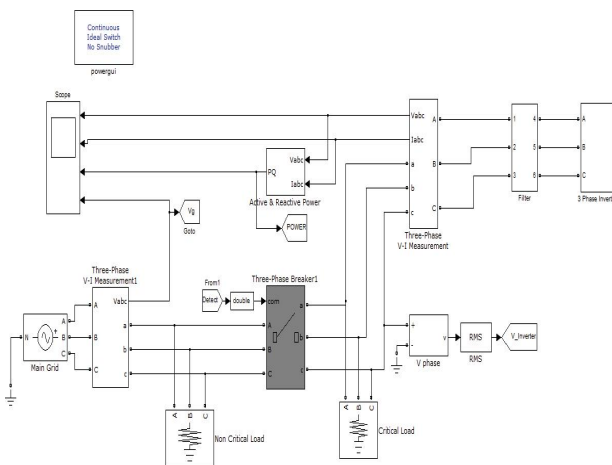


Fig. 4: Proposed Islanding Detection Technique Simulation diagram

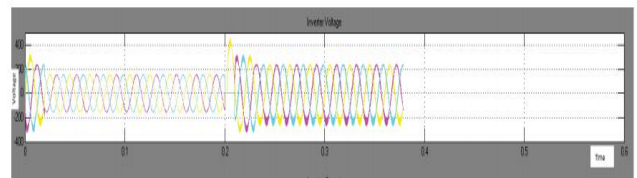


Fig. 5. Simulation output waveform of Inverter Voltage in Islanding Detection

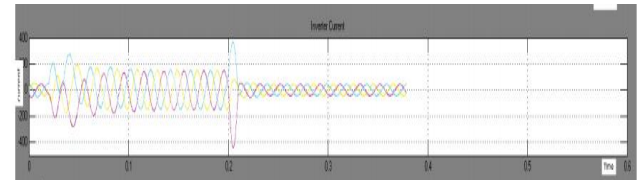


Fig. 6. Simulation output waveform of Inverter Current in Islanding Detection

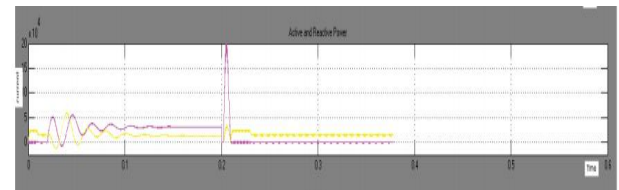


Fig. 7. Simulation output waveform of Active and Reactive Power in Islanding Detection

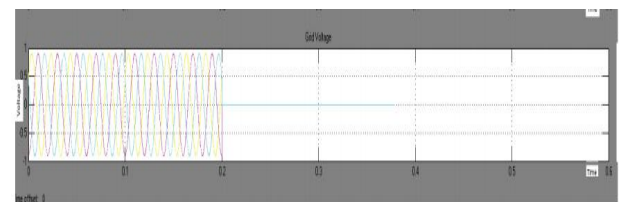


Fig. 8. Simulation output waveform of Grid Voltage in Islanding Detection

For checking the islanding condition, loads are connected at both the micro grid side and at the main grid side. The design of the system is done in such a way that maximum capacity of the inverter is 60 KW and the capacity of the load is 8 KW. Initially, the operation is in grid connected mode which is also called as constant current control mode. Islanding situation arises when the system is operating in grid connected mode. When an islanding condition occurs, the micro grid detaches from the main grid and a switching of operation takes place from current control mode to voltage control mode. During the operation under voltage controlled mode the system supplies only the critical load. A breaker switch is used for detaching the micro grid from the main grid based on the limits of frequency and voltage of the main grid. The upper limit & lower limit of voltage is set to be 1.1pu and 0.88pu, and that of frequency is set as 49.30Hz and 51.50Hz respectively. If the grid frequency and voltage falls below or above this limit, then the system goes to an islanding condition with the help of breaker switch Fig.5 shows the voltage, current, active power and reactive power of the inverter and supply voltage of the main grid. Initially the system under grid connected mode. At 0.2sec there is a variation in the main grid by change the voltage. Correspondingly there is a change in inverter side which is representing the islanding. For the voltage change, intentionally creating a disturbance in the main grid which is connected with the micro grid. This disturbance is detecting by the breaker switch with the help of interval test in the

inverter side which is detecting the main grid voltage and frequency. At 0.2 sec the limits of the voltage is exceeding. So the breaker switch is detaching the microgrid from the main grid. There will be a variation occurs in all parameters like voltage, current and power of the system. This variation in voltage, current and power is balanced with the help of the DG system during the islanding mode of operations.

#### IV.CONCLUSION

This paper includes control, islanding detection has been proposed for the operation of the islanding mode of operation and grid conned mode of operation is validated by MATLAB Simulink software. Here mainly controlling two modes of operations by the islanding detection technique. It is also supporting the switching of constant current controlled mode to constant voltage controlled mode. The output of the simulated diagram clearly showing the islanding situation and its detection.

#### REFERENCES

- [1] Dilan Jayaweera, Stuart Galloway, Graeme Burt and James R. McDonald, "A Sampling Approach for Intentional Islanding of Distributed Generation" IEEE TRANSACTIONS ON POWER SYSTEMS, VOL. 22, NO. 2, MAY 2007
- [2] Pilo, F., Celli, G., and Mocci, S., "Improvement of Reliability in Active Networks with Intentional Islanding", Electric Utility Deregulation, Restructuring and Power Technologies, 2004. (DRPT 2004), Proceedings of the 2004 IEEE International Conference on Volume 2, 5- 8 April 2004,474 - 479.
- [3] H. Zeineldin, E. F. El-Saadany, and M. M. A. Salama, "Intentional islanding of distributed generation," in Proc. IEEE Power Eng. Soc. Gen. Meeting, 2005, vol. 2, pp. 1496–1502
- [4] L. Qin, F. Z. Peng, and I. J. Balaguer, "Islanding control of DG in microgrids," in Proc. IEEE 6th IPEMC, 2009, pp. 450–455.
- [5] A. Reznik, M. Godoy Simoes, Ahmed Al-Durra, S. M. Muyeen, "LCL Filter Design and Performance Analysis for Grid Interconnected Systems"
- [6] Xu Renzhong, Xia Lie, Zhang Junjun, and Ding Jie, "Design and Research on the LCL Filter in Three-Phase PV Grid-Connected Inverters" International Journal of Computer and Electrical Engineering, Vol. 5, No. 3, June 2013
- [7] Ingo Winzenick, Michael Fette and Joachim Horn "Identification of Critical Load-Parameters in Power Systems Using Bifurcation Analysis", International Conference on Control and Automation (ICCA2005) June 27-29, 2005, Budapest, Hungary
- [8] Irvin J. Balaguer, Qin Lei, Shuitao Yang, Uthane Supatti and Fang Zheng Peng, "Control for Grid-Connected and Intentional Islanding Operations of Distributed Power Generation" IEEE Transactions on industrial electronics, vol. 58, no. 1, january 2011.
- [9] P. Fuangfoo, T. Meenual, W.-J. Lee, and C. Chompoo-inwai, "PEA guidelines for impact study and operation of DG for islanding operation," IEEE Trans. Ind. Appl., vol. 44, no. 5, pp. 1348–1353, Sep./Oct. 2008
- [10] Salvador Alepuz, Sergio Busquets-Monge, Josep Bordonau,, Juan A. Martinez-Velasco, César A. Silva, Jorge Pontt, and José Rodríguez, "Control Strategies Based on Symmetrical Components for Grid Connected Converters Under Voltage Dips" IEEE TRANSACTIONS ON INDUSTRIAL ELECTRONICS, VOL. 56, NO. 6, JUNE 2009
- [11] D. Jayaweera, S. Galloway, G. Burt, and J. R. McDonald, "A sampling approach for intentional islanding of distributed generation," IEEE Trans. Power Syst., vol. 22, no. 2, pp. 514–521, May 2007.
- [12] Rubens M. Santos Filho, Paulo F. Seixas, Porfirio C. Cortizo, Leonardo A. B. Torres, and André F. Souza, "Comparison of Three Single-Phase PLL Algorithms for UPS Applications" IEEE TRANSACTIONS ON INDUSTRIAL ELECTRONICS, VOL. 55, NO. 8, AUGUST 2008.